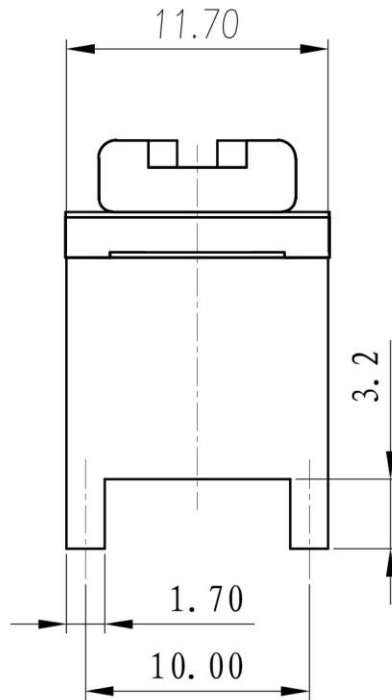
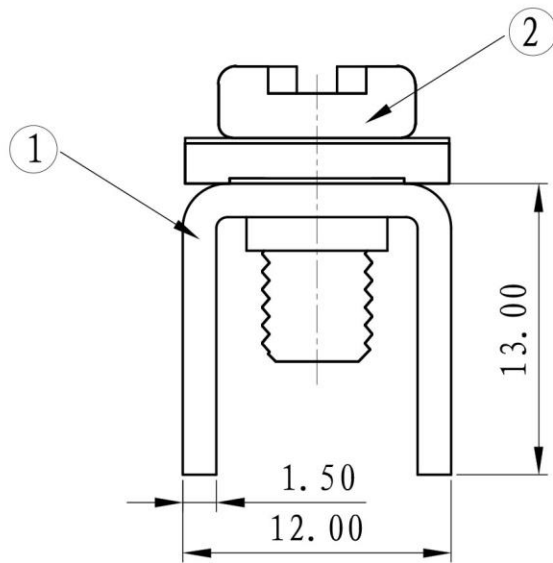
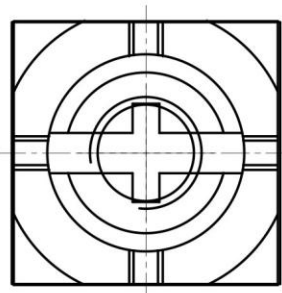
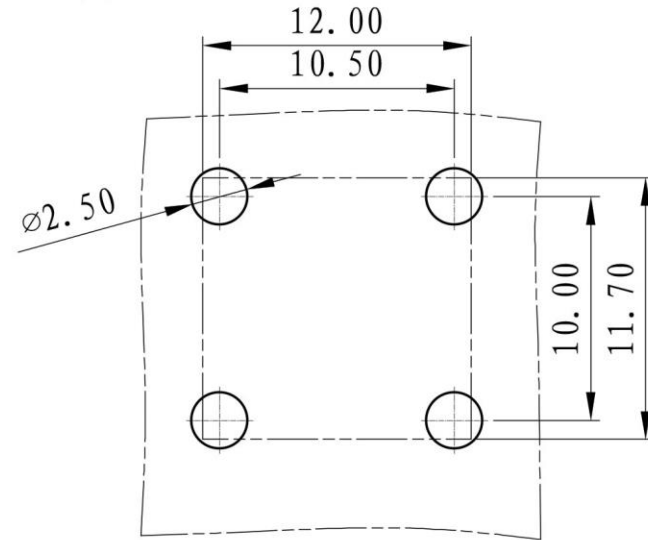


REVISION RECORD			
REV.	CONTENT	MOD.	DATE
△	初版发行		



技术要求:

1. 螺钉孔类型/扭力: M5/2.0 N.m以上
2. 适用线规: 20~6AWG
3. 额定电流: 60A



	pitch dimension			Nominal dimension					— ◇ ○
	over 0 to 6	over 6 to 10	over 10 to 24	over 0 to 30	over 30 to 60	over 60 to 100	over 100 to 150	over 150	
variable range	0 to 6	6 to 10	10 to 24	0 to 30	30 to 60	60 to 100	100 to 150	150	—
Tolerance	±0.1	±0.15	±0.25	±0.2	±0.3	±0.5	±0.7	±1.0	0.05/10

2	M5*10-(12.0*12.0)		1	碳钢	镀锌
1	E10.0*12.0*13.0/4+M5	7006T0001AV	1	黄铜	镀雾锡
NO.	NAME OF PART	NO. OF PART	QTY	MATERIAL	NOTES
DES.	ZMF	DATE 2019/04/11	UNITS mm	THIRD ANGLE PROJECTION	SHEET
CHK.		DATE	SIZE A4	⊕	1 of 1
APP.		DATE	SCALE 1:1	DWG NO.	REV: T0
上海有乐电气有限公司 ShanghaiYouLeElectric CO.,LTD				TITLE	E10.0*12.0*13.0/4+M5/10*12-100-00A E10.0*12.0*13.0/4+M5/10*12-产品